

Sonderartikel

Special article

Articles spéciaux

Reinigungsmaschinen

cleaning machines
auto valeuse

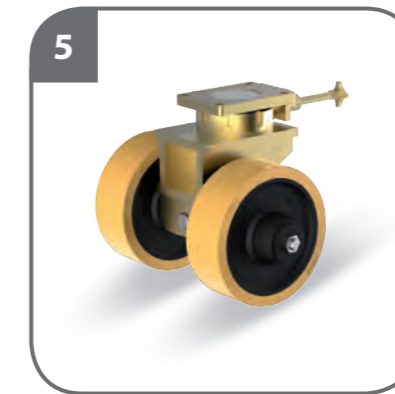
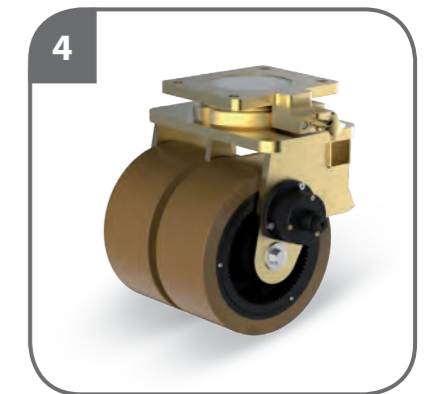
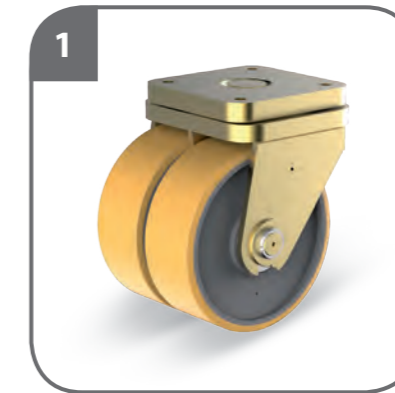
- 1 SUE 198/ 50-140/G-S WRS-PROFIL
- 2 UN Z 01/80/40K-VV-S
- 3 WG 300/ 75-225/5K-RA-S
- 4 SUG 280/120-219/FL-S WVL+WRS-Profil
- 5 SUE LS 4/2X200/52K-S
- 6 WN LVK 4 /2X200/48K-FAK-S



Spezielle Lenkrollen

special swivel castors
roulettes spécifiques

- 1 CNS LAK 11/2X550/200K-S
- 2 GG LTC 6/2X267/178K-S
- 3 GS LAK 11/2X559/254K-S
- 4 PS LTC 6/2X300/135K-FST-RFST-S
- 5 VS LTC 9/2X400/140K-RFST-S



Sonderartikel

Special article

Articles spéciaux

Drehkranz

turtles
tripodes

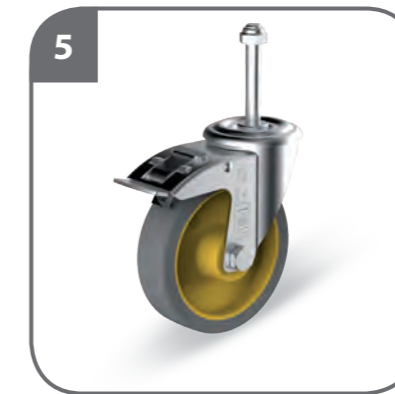
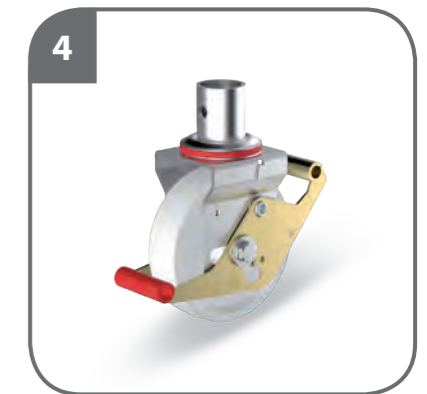
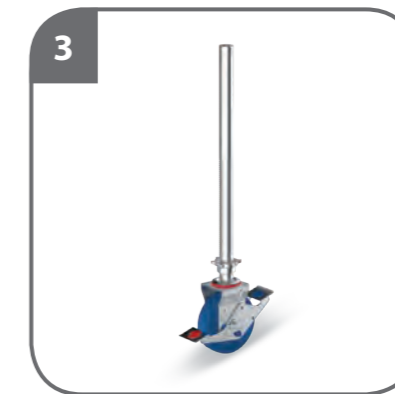
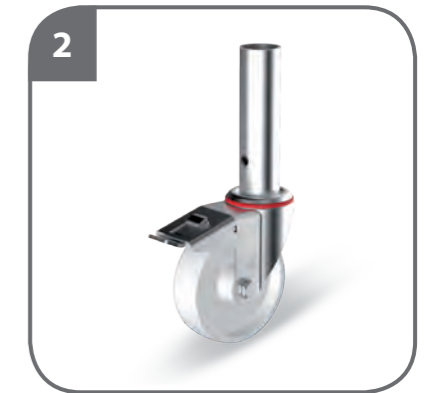
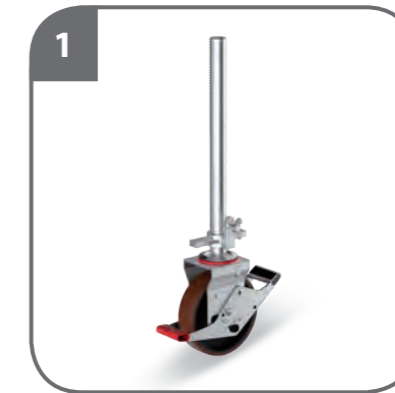
- 1 110X8X135 LLAk-S
- 2 125X8X125 LLAk-S
- 3 160X 8X200 LS-S
- 4 110X8X135 LLAk-S
- 5 160X 8X200 LS-S



Gerüstrollen

scaffolding castors
roulettes échafaudages

- 1 DS XY 4/200/50R-S
- 2 KN XX 03/125/38G-FSTF-S
- 3 KN XY 4/200/50G-S
- 4 KN XY 2/150/40G-S
- 5 DS ZZ 03/125/32G-FSTF-S



Sonderartikel

Special article

Articles spéciaux

Systemkomponenten

system components
systèmes complets

- 1 PS LS 1/2X100/40K-S
- 2 A 6-S
- 3 VN RS 1/ 85/4X41/6K-S
- 4 VN RS 1/ 85/2x80/6K-S
- 5 VG LSF 1/4/2X200/55KE-(MO)-S



Spezielle Stopssysteme

special stop systems
systèmes de freinage spécifiques

- 1 RE LVK 4/200/50K-FSTD-S
- 2 TE LVK 4/200/50K-FSTP-S
- 3 TE BG 4/200/50K-FSTZ-S
- 4 WE L 1/160/50K-FSTG-S
- 5 TG BBAKF 3/4/200/50K-BR-S

